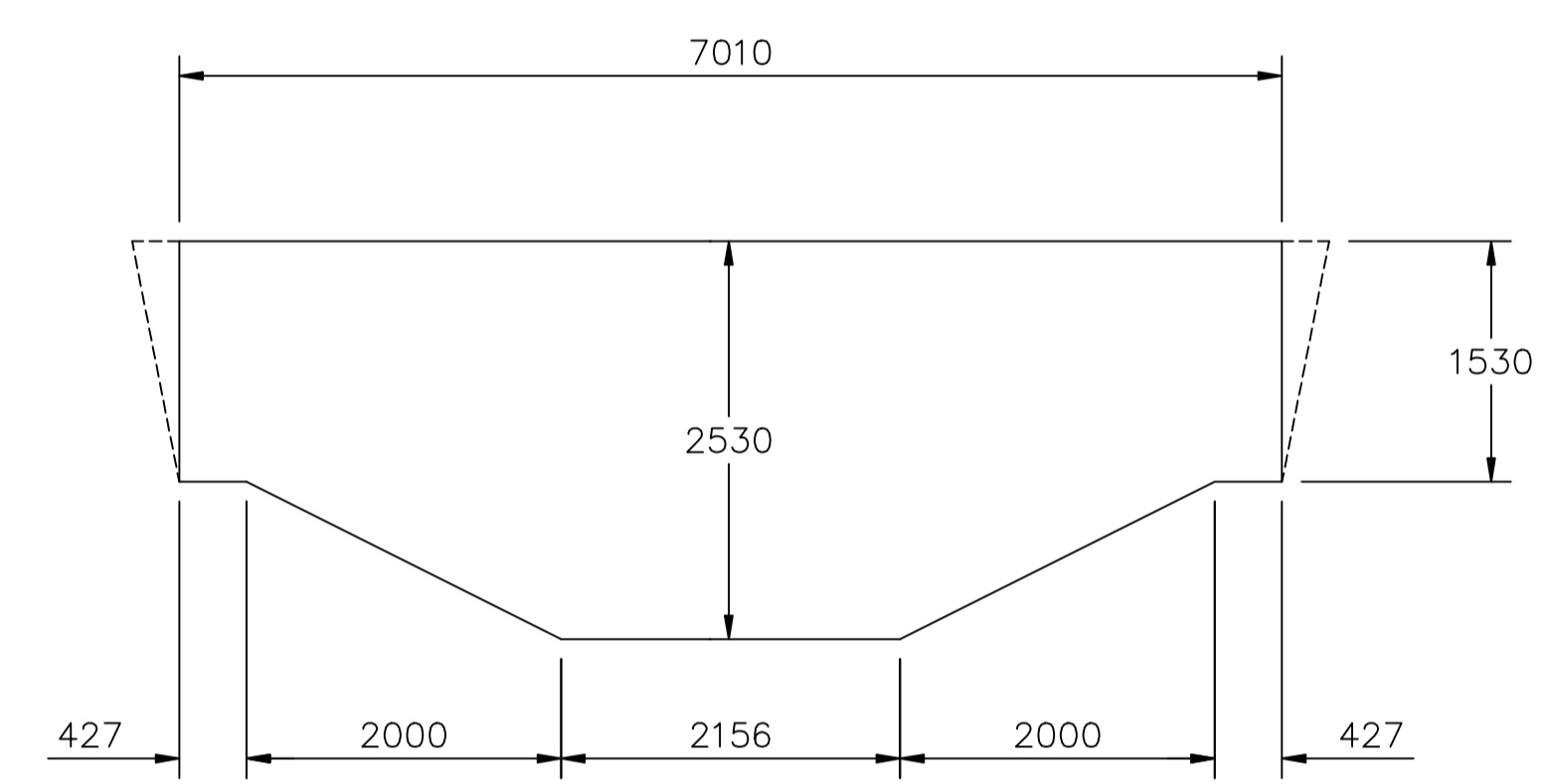
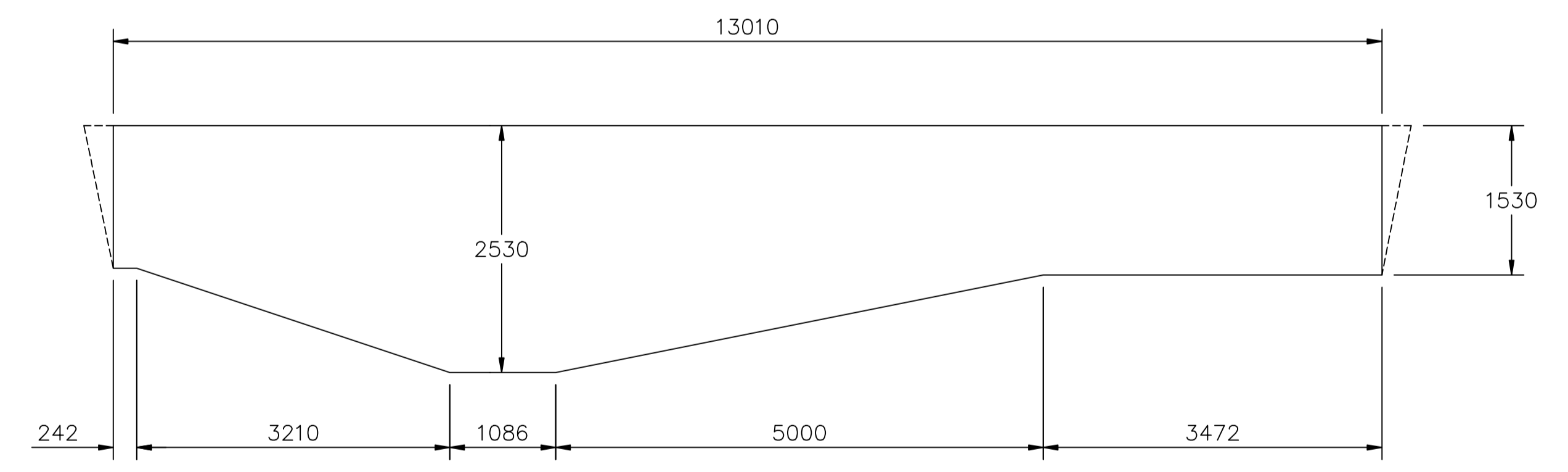


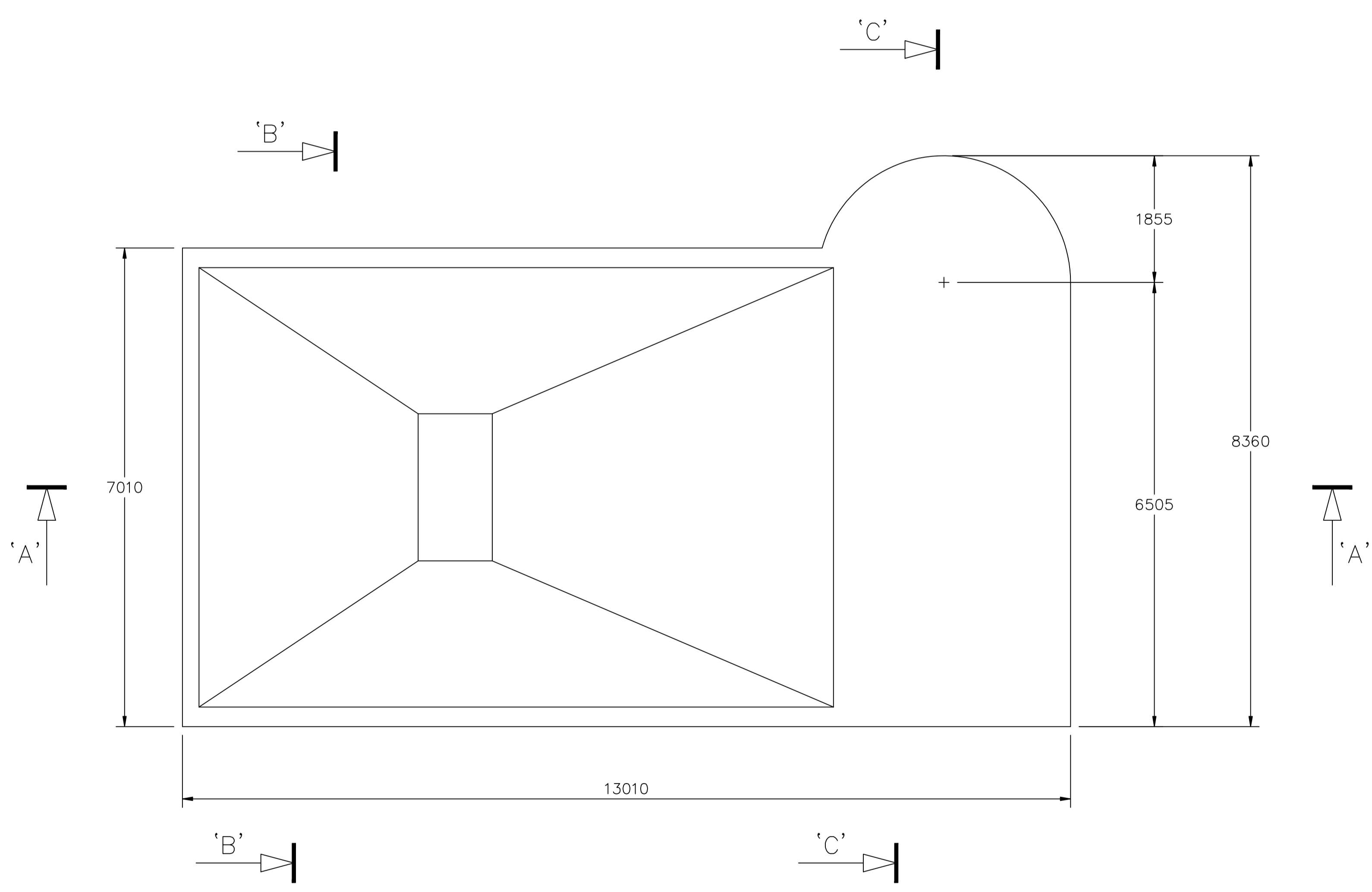
SECTION 'C-C'



SECTION 'B-B'



SECTION 'A-A'



				KINGFISHER POOLCARE LTD		Client Site		Scale 1:50 @ A1	
				Unit 4, Station Yard Industrial Estate Adderbury, Banbury Oxon, OX17 3HJ		Drawing Title		Date	
				Tel No. (01295) 810666 Fax No. (01295) 811432		TYPICAL OUTDOOR POOL SUPPLY KIT EXCAVATION LAYOUT		Drawn By PJS	
								Drg No.	
REV. DRAWN		DESCRIPTION		DATE		CHK'D		Rev. A	
A PJS		FIRST ISSUE							

C:\000 - DESKTOP - Amgama\01770 - 01A.dwg, Issue: 1/1/2011 07:46:05, pml