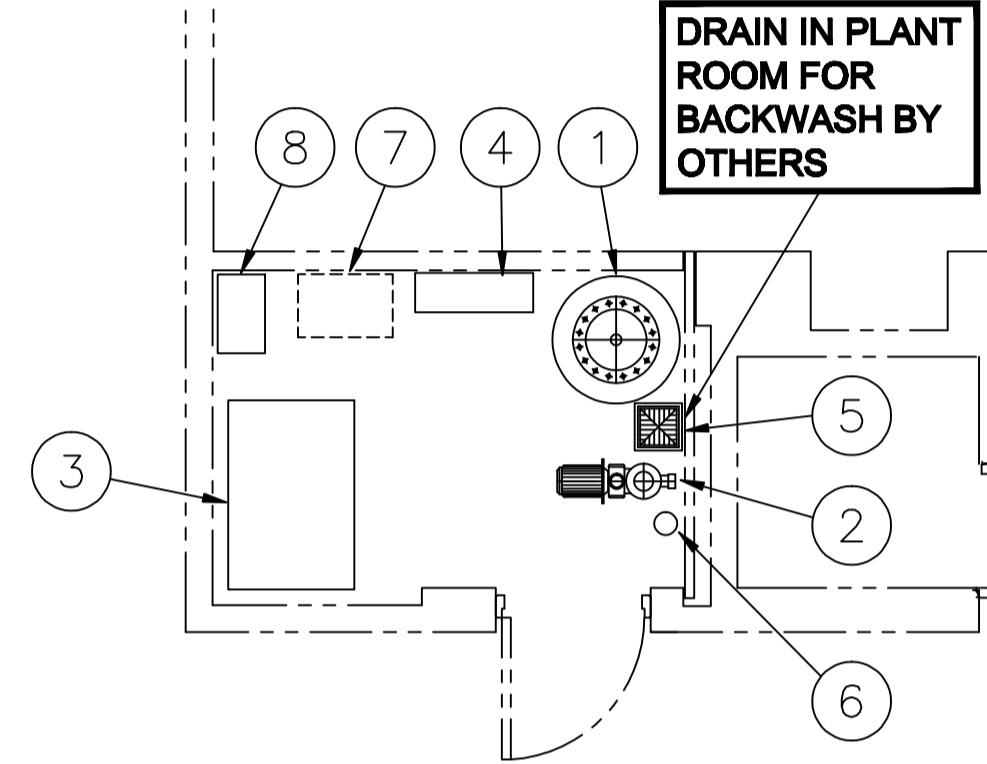
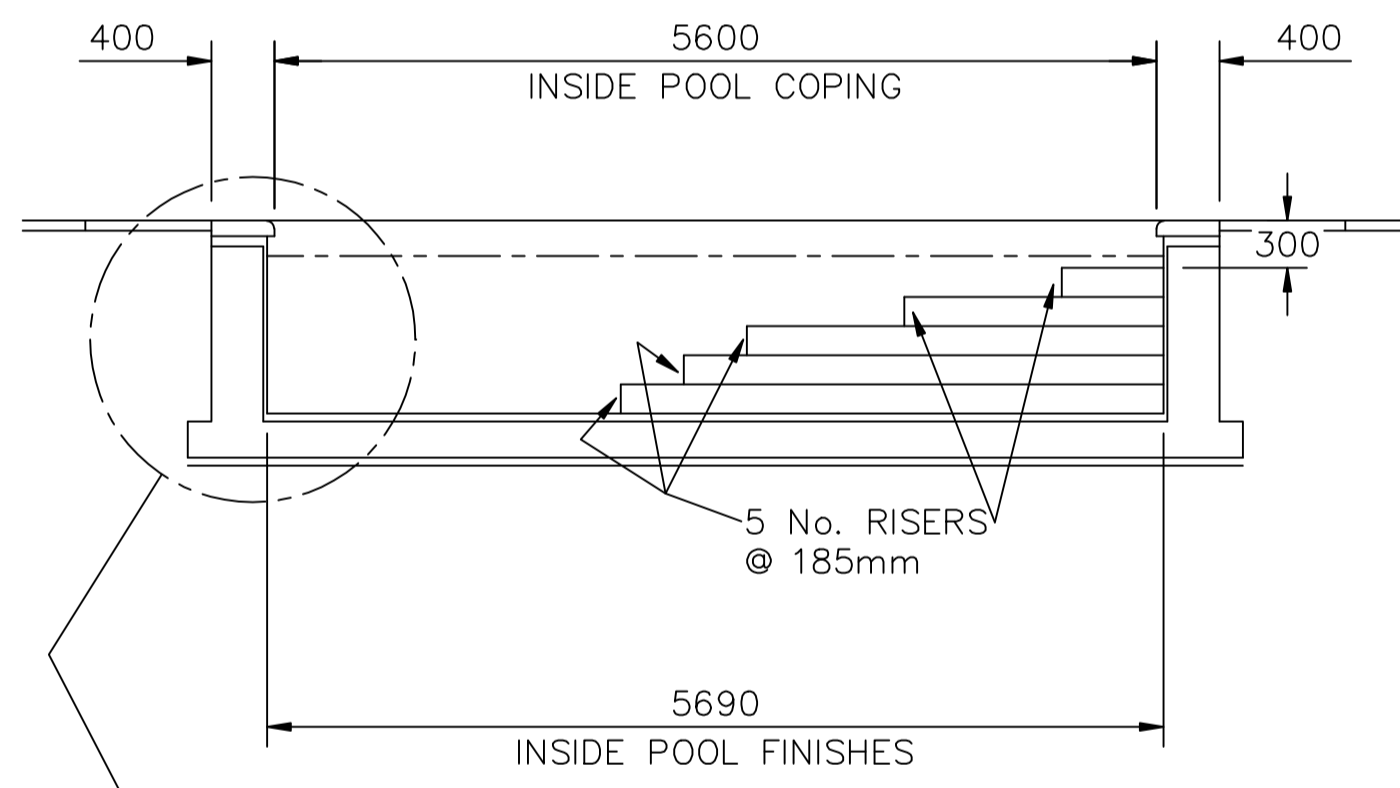


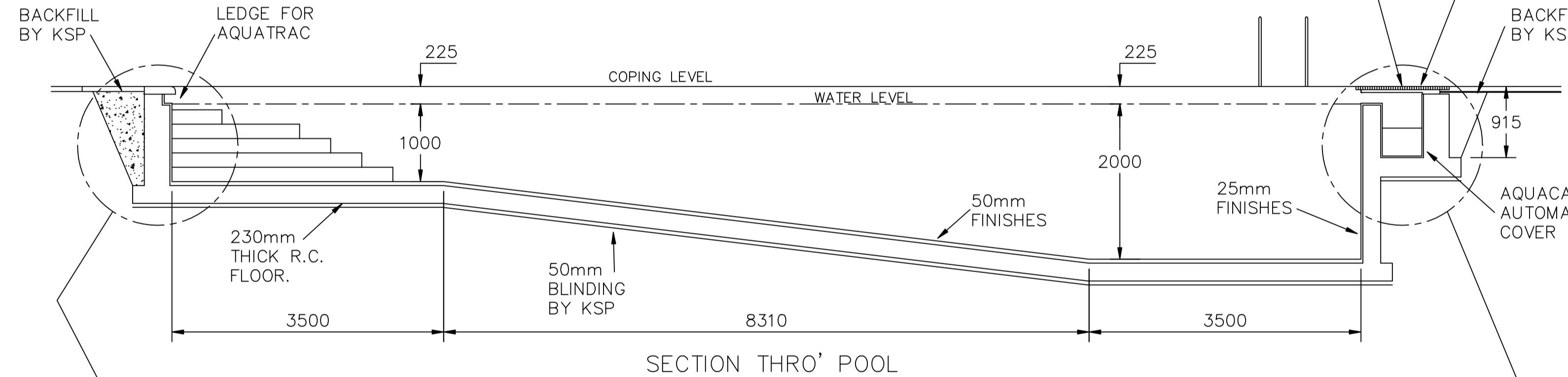
POOL STEP DETAIL
1st STEP 300mm DOWN FROM COPING THEN 5 No. RISERS AT 185mm



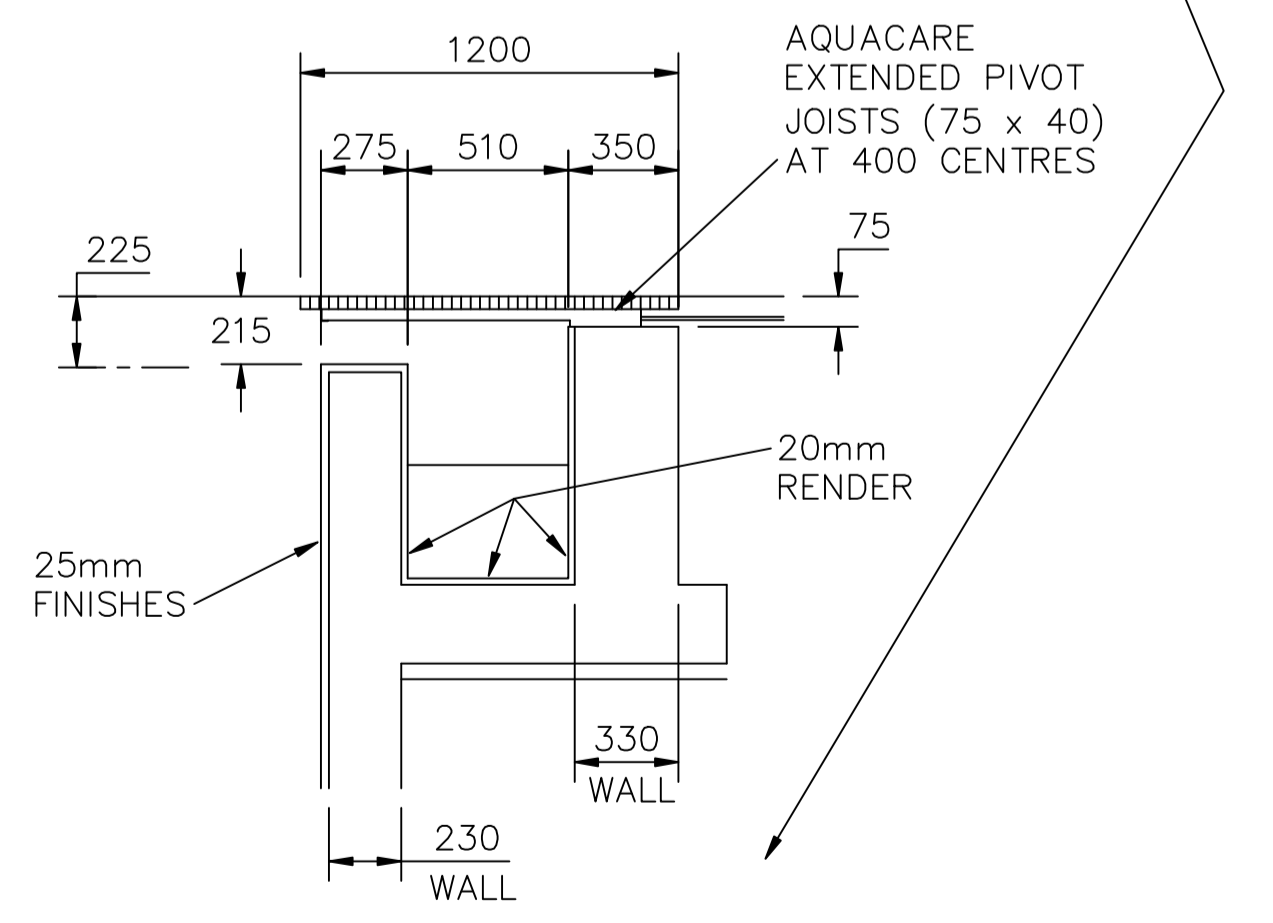
- KEY**
- ① 1 No. Ø810mm FILTER
 - ② 1 No. FILTER PUMP
 - ③ GEOTHERMAL HEAT PUMP UNIT
 - ④ ELECTRICAL CONTROL PANEL
 - ⑤ BACKWASH GULLEY
 - ⑥ DRY EROSION FEEDER CL220
 - ⑦ BREAK TANK AT HIGH LEVEL
 - ⑧ ELECTRIC HEATER



ENLARGED DETAIL (Scale 1:25)



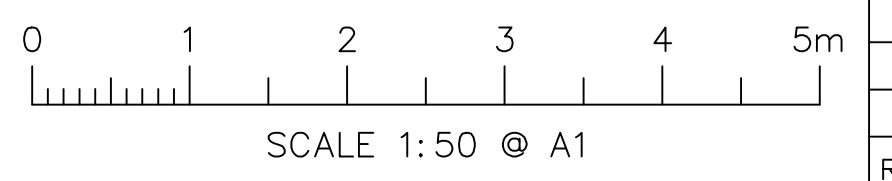
ENLARGED DETAIL (Scale 1:25)



ENLARGED DETAIL (Scale 1:25)

NOTE : ALL DIMENSIONS SHOWN ARE FINISH DIMENSIONS

NB : ALL NOTES BOXED IN THIS SIGNIFIES " BY OTHERS "



KINGFISHER POOLCARE LTD			
Unit 4, Station Yard Industrial Estate Adderbury, Banbury Oxon, OX17 3HJ			
Tel No. (01295) 810666 Fax No. (01295) 811432			
REV.	DRAWN	DESCRIPTION	DATE
A	PJS	FIRST ISSUE	
			CHK'D

Client	Scale 1:50	Based On
Drawing Title	Date	Drawn By PJS
TYPICAL OUTDOOR POOL SHARED CONSTRUCTION LAYOUT		
Drg No.	Rev. A	

C:\000 - DESKTOP - Amgammam\0600_0114.dwg, Issue: 14/02/04 09:46:15, pml