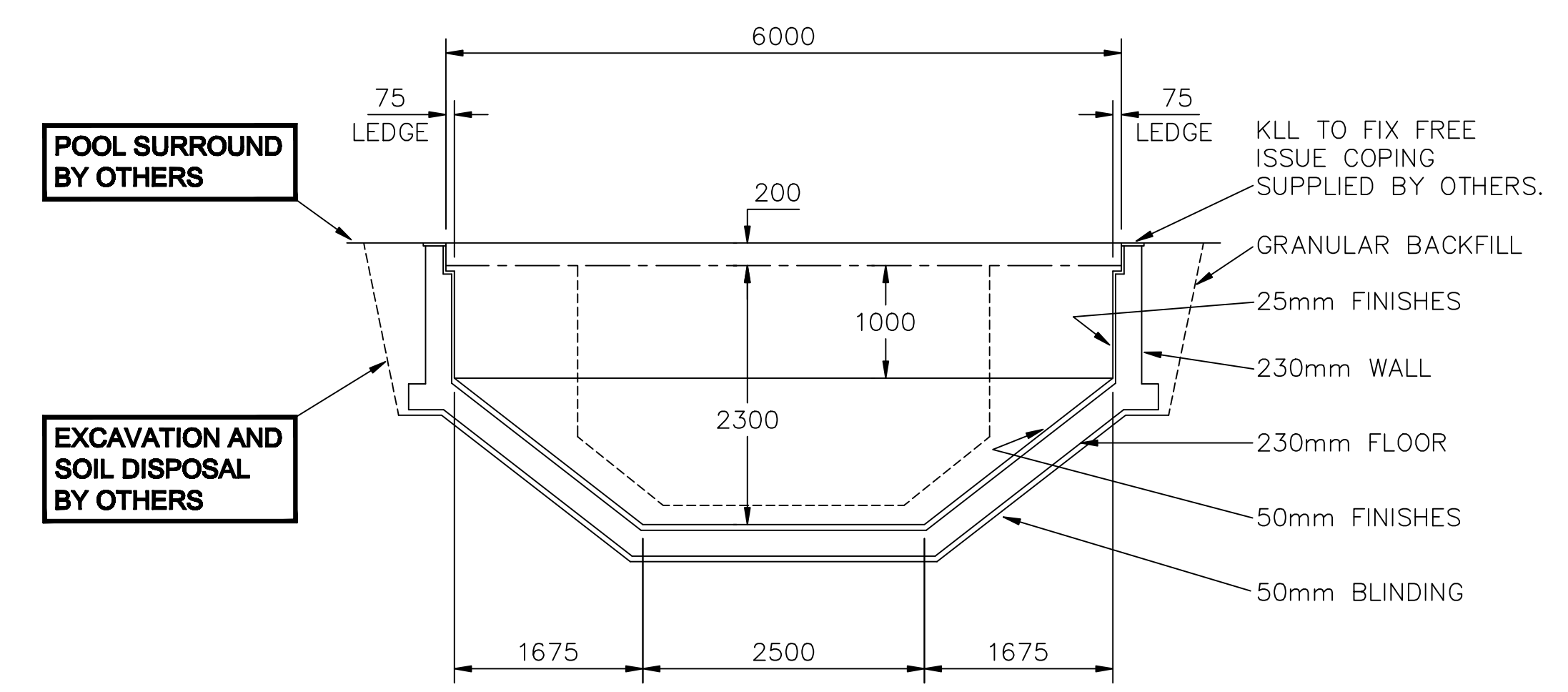
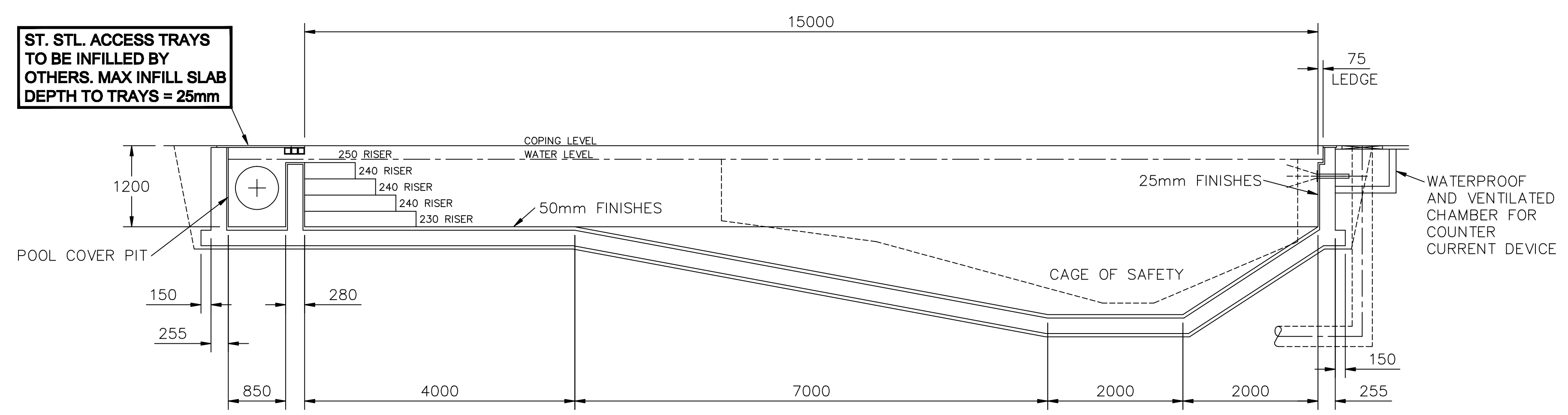


**ST. STL. ACCESS TRAYS TO BE INFILLED BY OTHERS. MAX INFILL SLAB DEPTH TO TRAYS = 25mm**



NB : ALL NOTES BOXED IN THUS   SIGNIFIES " BY OTHERS "

REV.	DRAWN	DESCRIPTION	DATE	CHK'D
A	PJS	FIRST ISSUE		

**KINGFISHER POOLCARE LTD**  
 Unit 4, Station Yard Industrial Estate  
 Adderbury, Banbury  
 Oxon, OX17 3HJ  
 Tel No. (01295) 810666  
 Fax No. (01295) 811432

Client  
 Site  
 Drawing Title  
**TYPICAL OUTDOOR POOL DESIGN 2**

Scale 1:50 @ A1 / 1:100 @ A3	
Date	Drawn By PJS
Drg No.	Rev. A

C:\000 - DESKTOP\00 - Arrangements\SC\_014\_01D.dwg, Model, 14/02/2014 07:45:20, pjs