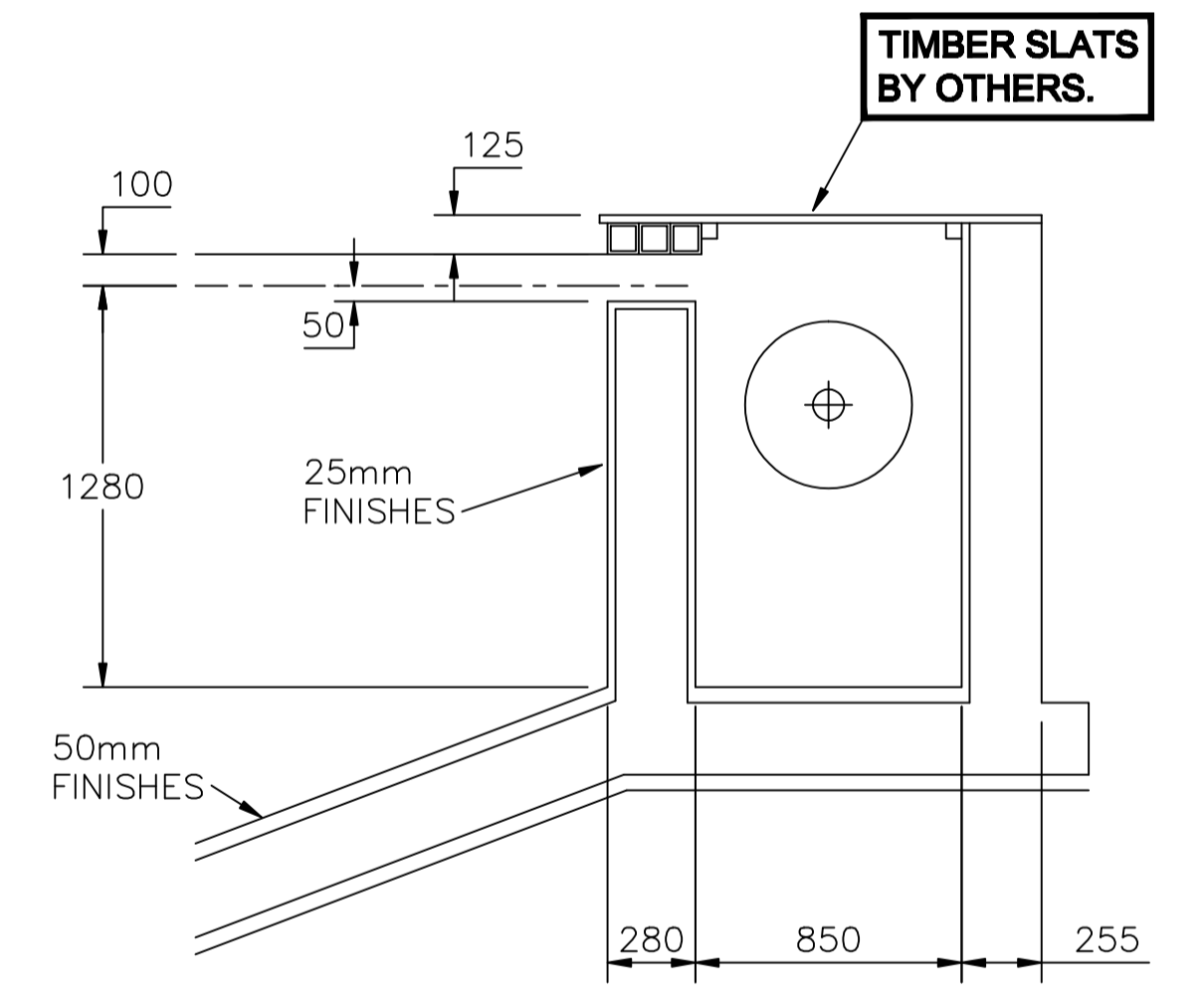
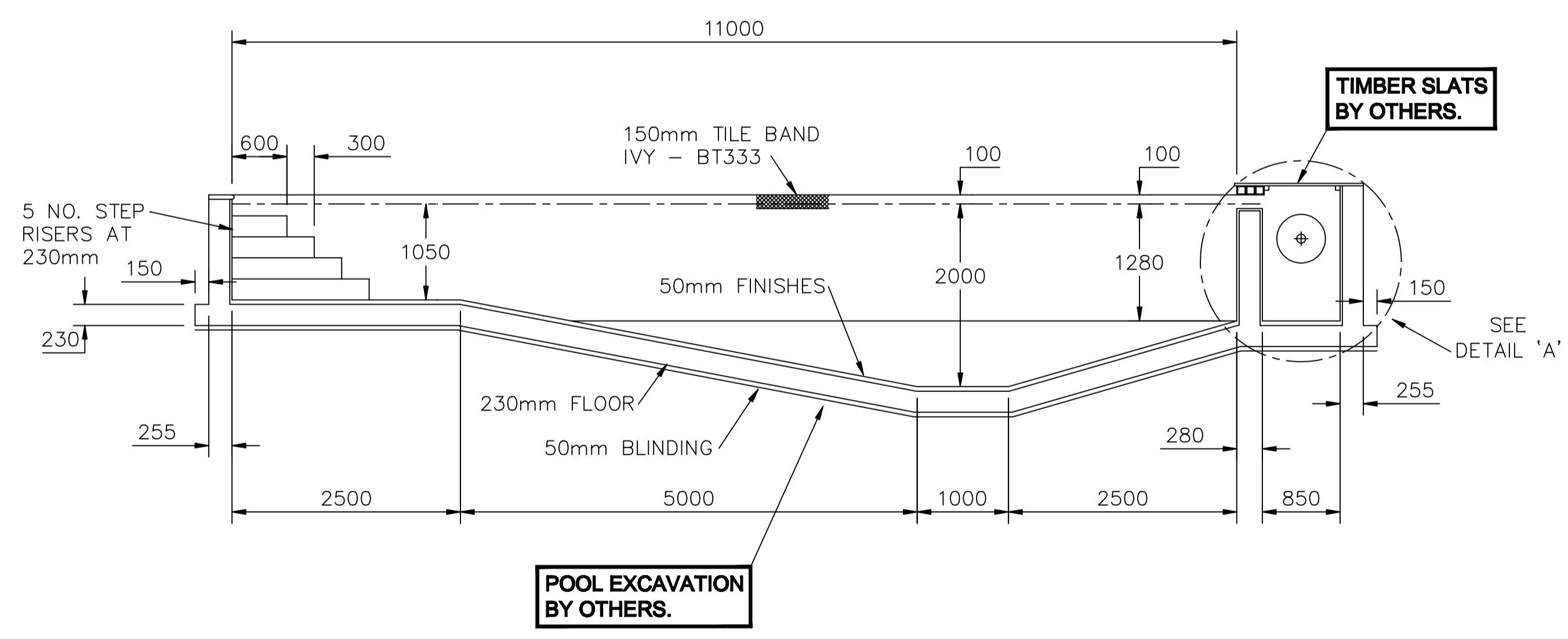
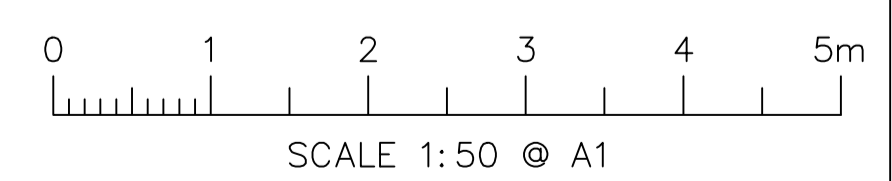


POOL WALL DETAIL  
Scale 1:10



ENLARGED DETAIL 'A'  
Scale 1:25

NB : ALL NOTES BOXED IN THUS   SIGNIFIES " BY OTHERS "



				KINGFISHER POOLCARE LTD		Client Site		Scale 1:50 @ A1	
				Unit 4, Station Yard Industrial Estate Alderbury, Banbury Oxon, OX17 3HJ		Drawing Title TYPICAL OUTDOOR POOL DESIGN 1		Date	
				Tel No. (01295) 810666 Fax No. (01295) 811432				Drawn By PJS	
								Rev. A	
A	PJS	FIRST ISSUE							
REV.	DRAWN	DESCRIPTION	DATE	CHK'D					

C:\000 - DESKTOP - Amgama\01E.dwg, Acad, 14/02/04 07:46:16, .dwg